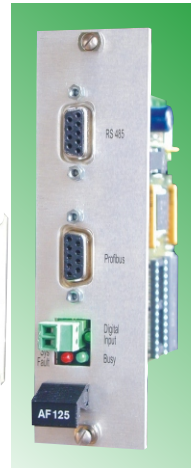
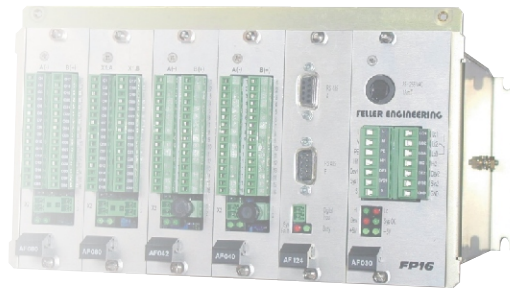


FP16 / FP16+ boards

Supply boards

- AF023** Power supply, 24 VDC
AF030 Power supply, 85...265 VAC

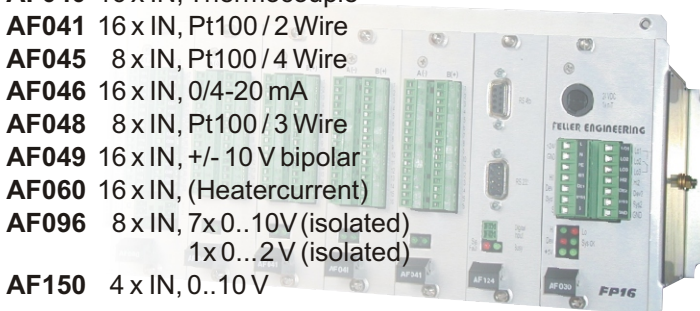


Processor boards

- AF121** Processor board for FP16 with interface RS485
AF122 Processor board for FP16 with interface RS232
AF124 Processor board for FP16 with interfaces 2x RS485
AF125 Processor board for FP16 with interfaces Profibus/RS485
AF127 Processor board for FP16 with interfaces RS485 / RS422
AF128 Processor board for FP16 with interfaces 2x RS422
AF129 Processor board for FP16 with interfaces RS485 / RS232
AF131 Processor board for FP16+ with interface RS485
AF132 Processor board for FP16+ with interface RS232
AF134 Processor board for FP16+ with interfaces 2x RS485
AF135 Processor board for FP16+ with interfaces Profibus/RS485
AF137 Processor board for FP16+ with interfaces RS485 / RS422
AF139 Processor board for FP16+ with interfaces RS485 / RS232
AF530 Processor board for FP16+ with interfaces RS485 / RS232 / 2x CAN-Bus

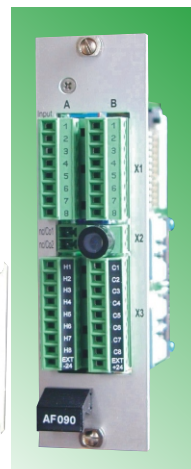
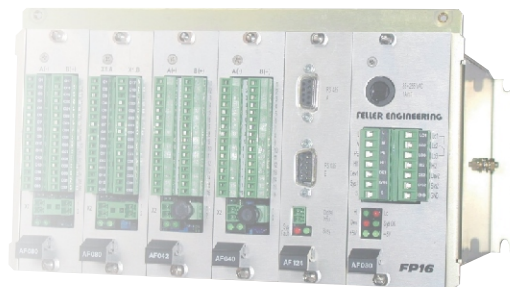
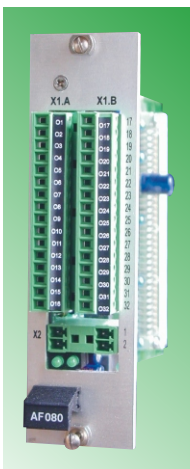
Input boards

- AF040** 16 x IN, Thermocouple
AF041 16 x IN, Pt100 / 2 Wire
AF045 8 x IN, Pt100 / 4 Wire
AF046 16 x IN, 0/4-20 mA
AF048 8 x IN, Pt100 / 3 Wire
AF049 16 x IN, +/- 10 V bipolar
AF060 16 x IN, (Heatercurrent)
AF096 8 x IN, 7x 0..10V (isolated)
 1x 0...2 V (isolated)
AF150 4 x IN, 0..10 V



Output boards

- AF080** 32 x OUT, 24V
AF081 16 x OUT, Relay isolated
AF161 5 x OUT, 0..10V
AF162 16 x OUT, +/- 10 V bipolar



Combi boards

- AF090** 8 x IN (TC) / 16 x OUT
AF091 8 x IN (Pt100-2W) / 16x OUT
AF094 8 x IN (0..10 V) / 16 x OUT
AF097 8 x IN (4..20 mA) / 16 x OUT
AF140 16x IN digital / 16x OUT digital